

KUBOTA WHEEL LOADER RT260-2

For Earth, For Life
Kubota



Engine output:
26 HP / 19 kW



Machine weight:
2400 / 2605 kg

Standard equipment

- Kubota Engine D1505 Stage V
- Tyres 11.5/80-15.3 AS (Total width 110 cm)
- Hydrostatic Transmission 4 wheel drive with automotive control
- 8 ton planetary axles with 18.000 N pulling force
- Limited slip on both axles
- Electric shuttle on joystick
- Lifting arm and tilt controlled by joystick
- Double acting mechanical auxiliary circuit AUX1
- Floating position
- ROPS / FOPS canopy included safety doors
- Deluxe seat with safety belt, armrest and extended backrest
- Battery main switch
- Towing hook at the back
- Working light (halogen) front and on lifting arm
- Cyclone filter
- Oil Cooler
- Hydraulic quick coupler
- Drum brakes



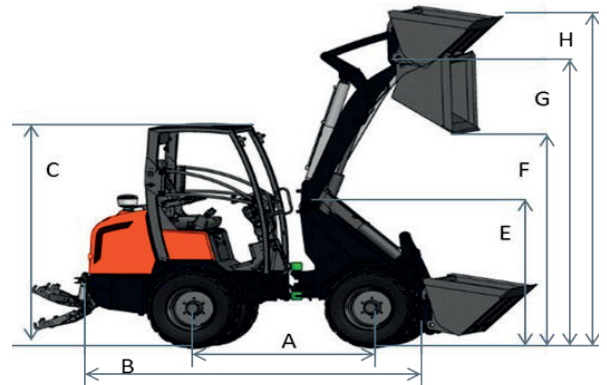
Specifications

Model name		RT260-2	
Engine	Make	Kubota	
	Model	D1505	
	Displacement	CC	1123
	Output	HP(kW)	26 (19)
Service weight		kg	2400
Lifting capacity in straight position		kg	2600
Driving speed	1°st speed	km/h	0~10
	2°nd speed	km/h	0~20
Tipping load	A	kg	2700
	B	kg	1850
	C	kg	1320
Auxiliary circuit	Oil flow	l/min	40
	Oil pressure	bar	210



Dimensions

Model name		RT260-2	
A	Wheel base	mm	1695
B	Output	mm	3316
C	Overall height with canopy	mm	2322
C'	Overall height with cabin	mm	2345
D	Overall width	mm	1100/1360
E	Height front frame	mm	1492
F	Max. dumping height	mm	1735
G	Max. bucket pin height	mm	2498
H	Height with bucket	mm	3070



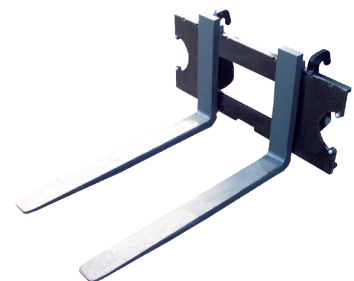
Basic accessories



Earth bucket



Bucket 4 in 1



Pallet fork



KUBOTA EUROPE S.A.S.

19 rue Jules Verceyruisse
 Zone Industrielle - CS 50088
 95101 Argenteuil Cedex France
 Téléphone : (33) 01 34 26 34 34
 Télécopieur : (33) 01 34 26 34 99
 www.kubota-eu.com